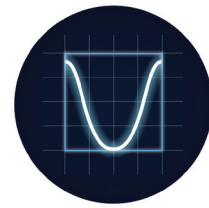


## OCCUPANCY SENSOR:

# CD-IR-MS

RECESSED MOUNT INFRA-RED OCCUPANCY SENSOR



**COSINE DEVELOPMENTS**  
LEADERS IN EMERGENCY LIGHTING

## DESCRIPTION

The CD-IR-MS is an active infra-red motion detector. It senses changes in heat via its Fresnel lens to detect human movement. The sensor can detect even the slightest movement in the detection zone.

The unit is designed to be fitted flush into ceilings. 360° sensing is assured via its heat sensors. An 8 minute maximum time setting will reduce the possibility of the lights being extinguished when somebody is present. The sensitivity as well as the ambient light and time delay settings can be adjusted according to the desired operation.



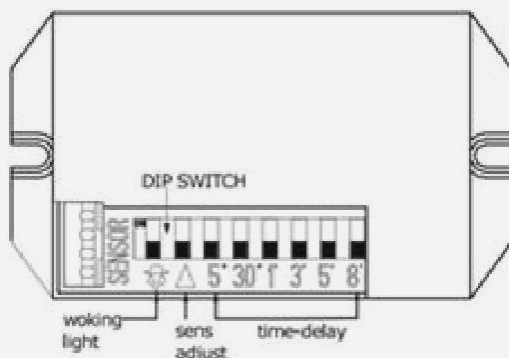
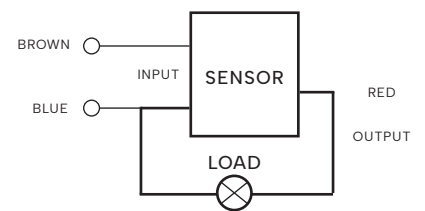
## TECHNICAL DATA

<b>DETECTION DISTANCE</b>	6 meters
<b>DETECTION RANGE</b>	up to 6 meters
<b>DETECTION SPEED</b>	0.6 - 1.5 ms
<b>INSTALLATION HEIGHT</b>	2.2 - 4 meters
<b>MAINS VOLTAGE</b>	230 Vac +/-10% 50Hz
<b>MAXIMUM AMBIENT TEMPERATURE</b>	+70°C
<b>POWER CONSUMPTION</b>	0.45W (work)   0.1W (static)
<b>RATED LOAD</b>	Fluorescent/ LED: 200W Resistive: 800W
<b>TIME DELAY</b>	5 seconds (min)   8 minutes (max)
<b>IP RATING</b>	IP20

## FEATURES

- > 800W rated load
- > 8 minutes maximum time setting
- > Detection diameter of up to 6 meters

## WIRING DIAGRAM



## DIP SWITCH SETTINGS:

SELECT OPERATION (working light):

- > Night only (on position)
- > 24 hours (off position)

SELECT DESIRED TIME DURATION:

- > 5 seconds | 30 seconds | 1 minute
- > 3 minutes | 5 minutes | 8 minutes